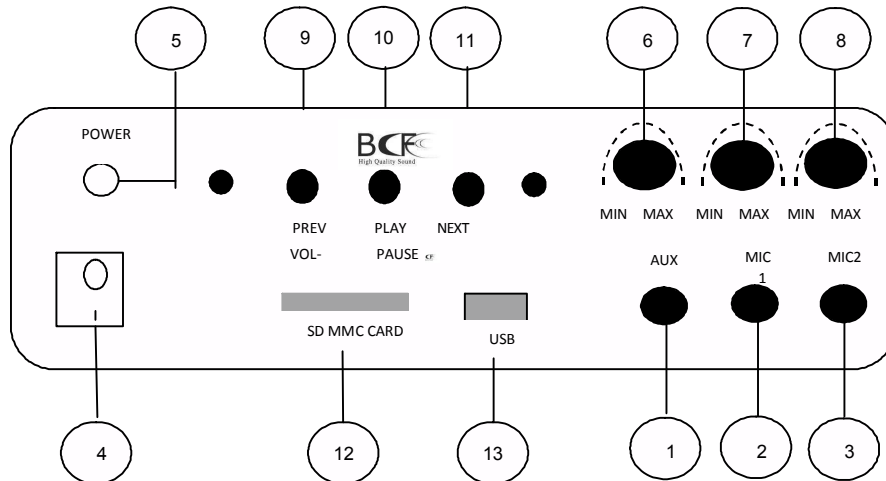


PUBLIC ADDRESS EQUIPMENT-HY880M POWER AMPLIFIER

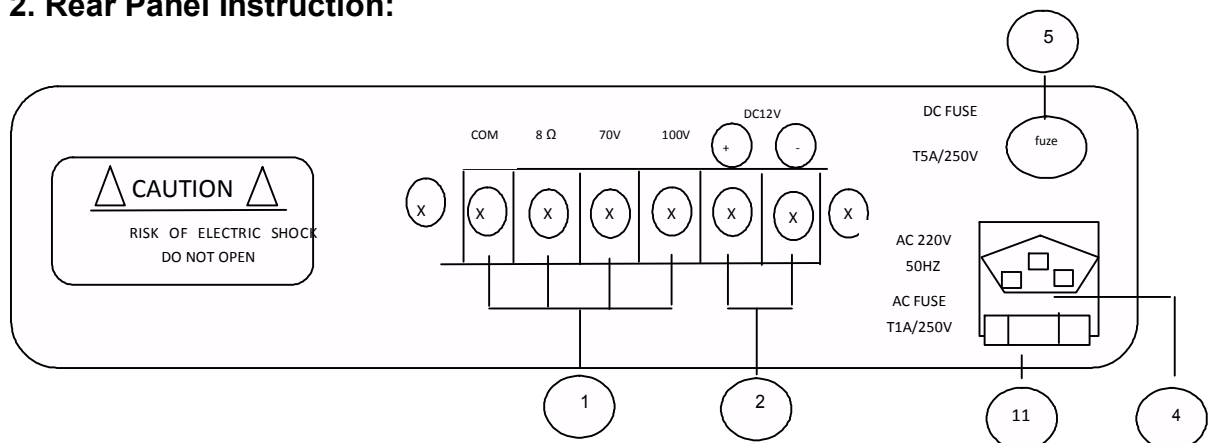
Congratulation to you! Thank you for your purchase of HY880M power amplifiers. Please read the manual carefully before using the amplifiers. The power amplifiers are designed for the public address system and suitable for hotel, shop, church, garden and other buildings.

1. Front Panel Instruction:



- | | | | |
|-----------------|---------------|---|-----------------------|
| 1: AUX select | 5: LED p | t | 9: short press: PREV |
| 2: MIC1 input | 6: AUX volume | | Long press: VOL- |
| 3: MIC2 input | | | 10: PLAY/PAUSE |
| 4: Power switch | | | 11: short press: NEXT |
| | | | 12: SD port |
| | | | 13: USB port |

2. Rear Panel Instruction:



- | | | |
|-----------------------------------|--------------------|--------------------|
| 1: 8ohms and 70V and 100V outputs | 3: AC fuse socket | 5: DC fuse control |
| 2: 12V DC power input terminals | 4: AC inlet holder | |

3. Power Amplifier Technical Specification:

Technical date	HY880M
Output power	50W (RMS)
Frequency response	Mic: -3dB (200-20kHz) Line: -3dB (100Hz-20kHz)
THD at 1 kHz	Less than 1%
Inputs	Input 1-2Mic: -50dB (2.45mv)/2k ohms BAL
	Input 3 Aux: -10dB (245mv)/5k ohms unbalanced
Outputs, speakers	70V and 100V
	Low-impedance outputs (8 ohms)
Signal-to-noise ratio	Mic: >70dB Line: >80dB
Power consumption	DC 12V/4A
	AC220v/0.5A
Power supply	230V (AC-50-60Hz) mains power and 12V DC
Dimensions W*H*D/weight	250*85*250mm, approx.3.8kg

4. Features instruction:

This amplifiers are designed for the public address system.

Features:

- > All the devices of this series operate both on 220V mains power and 12V DC.
- > The speaker outputs are available as 100V and 70V as well as 8 ohms low-impedance outputs.
- > MIC input 1 has microphone priority override. > 6.35 mm Front of the signal input interface.

5. Precaution

A. Read all documentation before operating the equipment. Retain all documentation for further reference.

B. Keep far from high temperature object, damp, dense dust and powerful electromagnetic place.

Bake to work automatic when the temperature is normal.

C. The equipments generate some heat in using, so leave over 10 cm empty space at empty space at both sides, 2 cm empty space upside.

D. Always operate the equipments with the AC ground wire connected to the electrical system ground.

E. Mains voltage must be correct and the same as that printed on the reat of the equipment.

F. Please turn off the power switch when pull off the power cable and signal cable or select the input mode switch.

G. Never clean the products by organification, clean it by soft cloths.