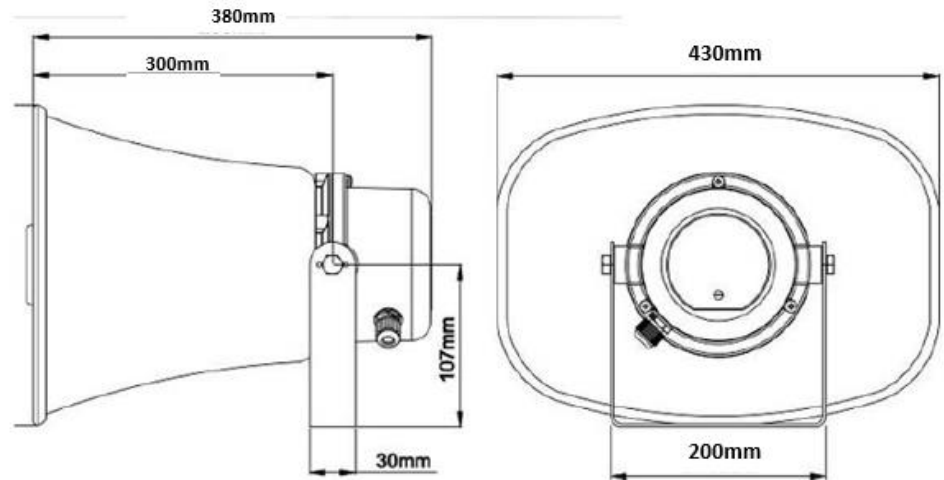


# SC-50 / SC-75



Specifications/Model Name	SC-50	SC-75
Load Rating Power(Watts)	50W	75W
Nominal impedance	NA	
Frequency Responce(Hz)	300-7k	
SPL(dB@ 1W/M)	108	108
Input Method	100V	
Transformer Tapping(@ 100V)	7.5W 15W 30W 50W	15W 30W 50W 75W
Horn Diameter(mm)	430*380	
Total Length(mm)	380	
Materials, Colour	ABS,RAL7042	
Protection Level	IP66	