



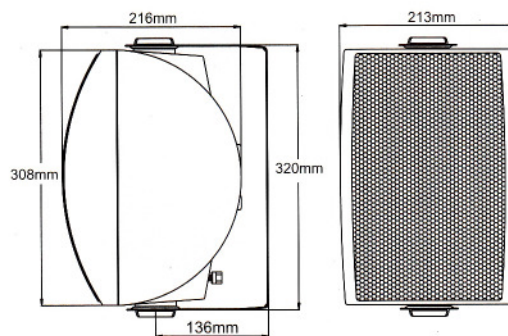
**Description**

The HYB126-5 series offers a perfect sound and a high SPL at a very compact size and light weight. The two 5 1/4" woofer and the tweeter convince by a high SPL of 93 dB and a wide range of response from 85 - 20,000 Hz. For clear, wide-area sound coverage, the series include rectangle horn wide dispersion-angle (110° x 80°) high-frequency horns. Both high-impedance and low-impedance models are available. Low-impedance models come with separate HF and LF protection circuitry. High impedance models have a rear-panel rotary control for making impedance settings that optimally match amplifier and speaker performance.

Please consider the following features:

- The speaker-leads connection is very easy with 2 clamp clips.
- The speakers can be mounted in- and outdoors.
- There is a hidden impedance selector on the back panel with 3 x 100 V, 4 x 70 V and a 1 x 8 ohms position. As there is a fitted high quality 100 V matching-transformer, there is no reduction of the sound pressure or playback quality.
- The grille can be taken off.

**FASHION SPEAKER, 40 W.....HYB126-5T**  
with 100 V Matching transformer (40-20-10-5W) and 8 ohms



Technical data	HYB126-5T
Load rating	40 W
Transformer tappings	40W-20W-10W(100V) 40W-20W-10W-5W(70V)
Frequency range	85Hz-20KHz
SPL(@1W/m)	93 dB
Woofer and Impedance	5 1/4" PP / 8 ohms (2x)
Tweeter and Impedance	1" silk dome / 8 ohms
Dimension HxWxD(mm)	308x213x216mm
Material, Colour	PP , white or black