



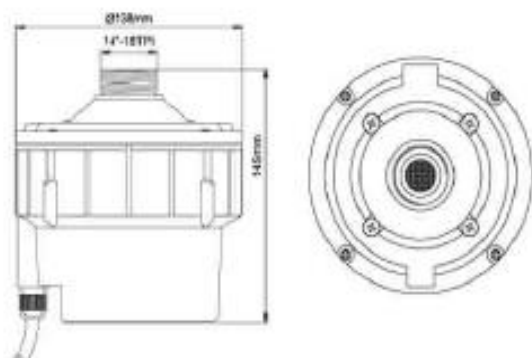
## Description

This workhorse driver provides efficient, articulate sound and is designed to survive the harshest environment. The cast aluminum faceplate, gasketed plastic rear cover, and stainless steel hardware ensure long-term reliability. A phenolic-impregnated cloth diaphragm will resist years of continuous stress and multiple attenuation tappings on the enclosed transformer permit easy adjustment of wattage taps, plus 16 ohm bypass . Standard 1-3/8"-18 threaded mounting.

Please consider the following features:

- Maximum 75 watts RMS power handling capacity (HD75TA)
- Durable phenolic-impregnated diaphragm
- Low distortion, high output
- Multiple transformer taps match driver to any system
- Standard 1-3/8"-18 threaded mounting

Technical data	HD30TA
Load rating	30 W
Transformer tappings	30-15-10 W(100V) 30-15-7.5-5 W(70V)
Frequency range	300Hz-6KHz
SPL(@1W/m)	105 dB
Protection type	IP 56
Dimension Ø×H(mm)	Ø138×145mm
Material,Colour	ABS / Alu , RAL7042



Technical data	HD50TA
Load rating	50 W
Transformer tappings	50-30-15 W(100V) 50-25-15-7.5 W(70V)
Frequency range	300Hz-6KHz
SPL(@1W/m)	107 dB
Protection type	IP 56
Dimension Ø×H(mm)	Ø138×145mm
Material,Colour	ABS / Alu , RAL7042

Technical data	HD75TA
Load rating	75 W
Transformer tappings	75-50-30 W(100V) 75-37.5-25-15 W(70V)
Frequency range	300Hz-6KHz
SPL(@1W/m)	107 dB
Protection type	IP 56
Dimension Ø×H(mm)	Ø138×145mm
Material,Colour	ABS / Alu , RAL7042